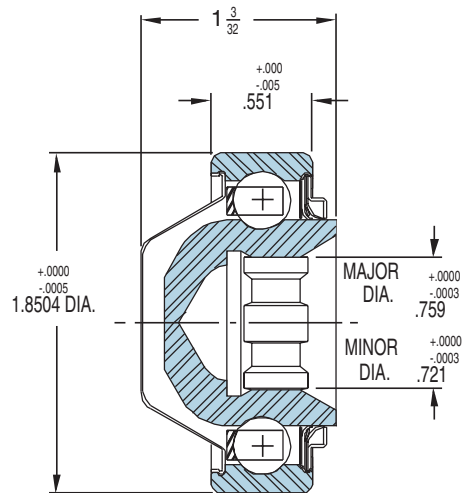
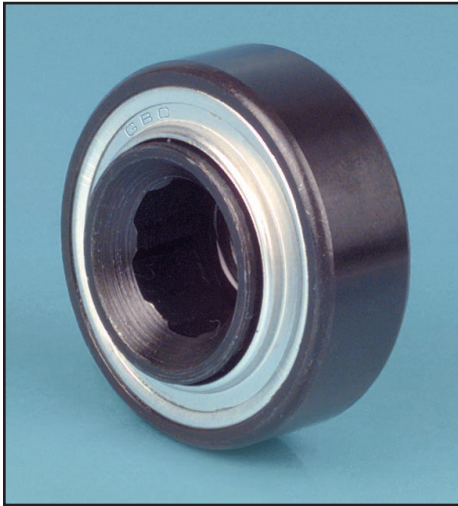


Special Ball Bearings

4541-00 TROUGHING CONVEYOR BEARING

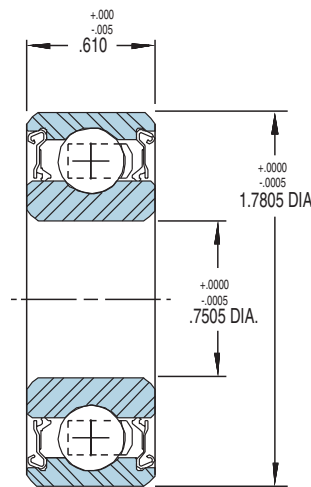
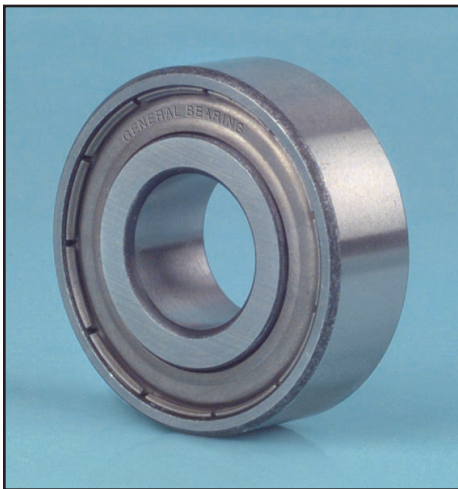


Conveyor bearings are used in the bulk handling conveyors of mining and quarrying equipment, in cement and concrete production installations, and in similar bulk materials handling conveyors. The splined, hexagonal bore is specially designed to be used with a hexagonal stub shaft. These parts are used

in a ball and socket type of arrangement that is very useful in applications with both large and small trough angles.

Directly interchangeable with industry standards; New Departure CB504B and Schatz CS3574X6.

8504-88 HEAVY DUTY TYPE RADIAL BALL BEARING



Basic Static Load
1460 lbs

Basic Dynamic Load
2860 lbs

The 8504-88 heavy duty radial ball bearing is designed for use in the spindle housing of commercial and riding mowers and in through-shaft idlers for bulk handling conveyors.

The bearing is factory lubricated with grease. The prelubrication and double seals eliminate the need for relubrication and field servicing.

Two trash guard, land riding seals, which are standard on this bearing, insure protection from contaminants (soil, grass and moisture). Each trash guard seal consists of a carbon steel shield to which a Buna N seal is bonded. The seals are crimped into the outer ring with the rubber lip riding on the ground land of the inner ring. Any slight misalignment of this bearing will not affect the sealing effectiveness of the land riding seals.

The nylon retainer's shock resistance and longevity are a match for the rough conditions and maintenance demands of most applications. Interchange: New Departure Z9504B, BCA 204BBAR, Fafnir P204RR6, NTN SC0440LLC3.