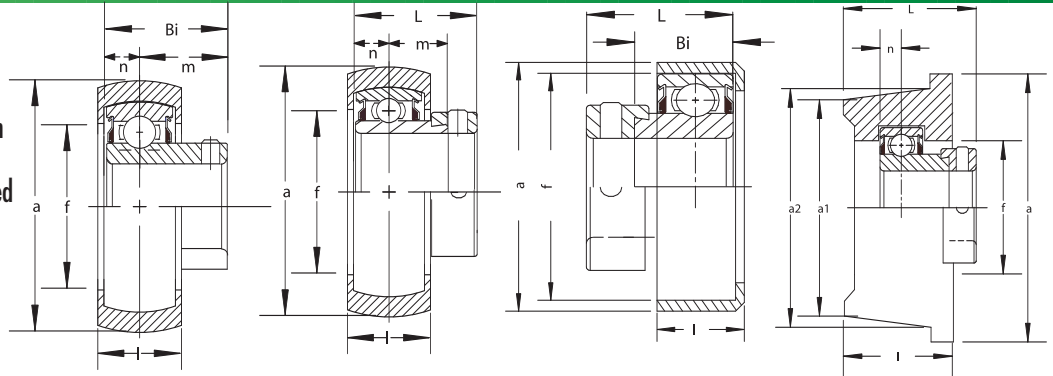


# Rubber Interliner & Rubber Cartridge Units

## FHSBR200 / FHBR200 & LCR/LRCR/RCR Series



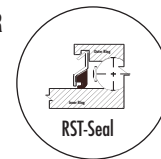
- Conductive rubber interliner
- Used to dissipate static and reduce noise/vibration
- FHSBR/ FHBR commonly assembled in pressed steel housings
- LCR/LRCR/RCR are cylindrically formed and used in many HVAC applications
- Narrow inner ring bearing
- Standard seal: RST tight riding, full cover, metal shroud seals



Optional seals: See page 83

### FHSBR Set Screw Locking

Unit No.	Dimensions in mm							Bearing No.	Rubber Insulator No.
	Shaft Diam.	a	f	l	Bi	n	m		
FHSBR201 -8 FHSBR201 -12mm FHSBR202 -9 FHSBR202 -10 FHSBR202 -15mm FHSBR203 -11 FHSBR203 -17mm	1/2 12mm 9/16 5/8 15mm 11/16 17mm	1.865 47.37	1 3/8 34.9	11/16 17.5	0.886 22.50	0.256 6.50	0.63 16.00	FHS201 -8 FHS201 -12mm FHS202 -9 FHS202 -10 FHS202 -15mm FHS203 -11 FHS203 -17mm	RUBBER-4
FHSBR204 -12 FHSBR204 -13 FHSBR204 -20mm	3/4 13/16 20mm	2.062 52.37	1 5/8 41.3	11/16 17.5	0.984 25.00	0.295 7.50	0.69 17.50	FHS204 -12 FHS204 -13 FHS204 -20mm	RUBBER-5
FHSBR205 -12 FHSBR205 -13 FHSBR205 -14 FHSBR205 -15 FHSBR205 -16 FHSBR205 -25mm	3/4 13/16 7/8 15/16 1 25mm	2.456 62.38	1 27/32 46.8	13/16 20.6	1.063 27.00	0.295 7.50	0.77 19.50	FHS205 -12 FHS205 -13 FHS205 -14 FHS205 -15 FHS205 -16 FHS205 -25mm	RUBBER-6
FHSBR206 -17 FHSBR206 -18 FHSBR206 -19 FHSBR206 -20 FHSBR206 -30mm	1 1/16 1 1/8 1 3/16 1 1/4(s) 30mm	2.848 72.34	2.436 61.9	27/32 21.4	1.181 30.00	0.354 9.00	0.83 21.00	FHS206 -17 FHS206 -18 FHS206 -19 FHS206 -20 FHS206 -30mm	RUBBER-7



Standard Mounted Units

### FHBR Eccentric Locking Collar

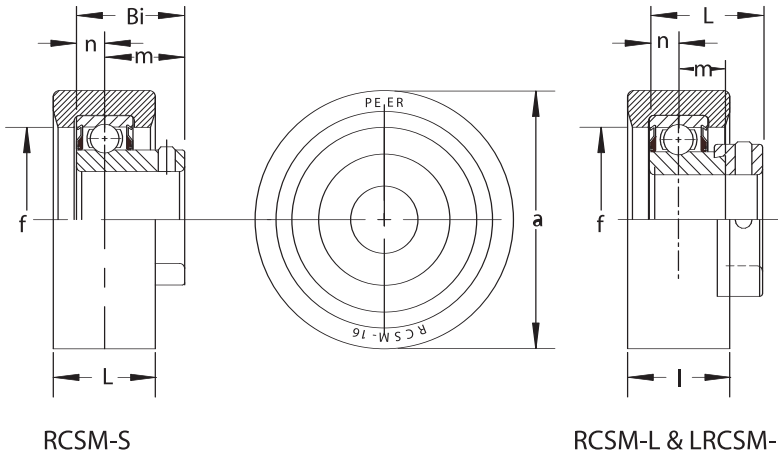
Unit No.	Dimensions in mm							Bearing No.	Rubber Insulator No.
	Shaft Diam.	a	f	l	L	n	m		
FHBR201 -8 FHBR201 -12mm FHBR202 -9 FHBR202 -10 FHBR202 -15mm FHBR203 -11 FHBR203 -17mm	1/2 12mm 9/16 5/8 15mm 11/16 17mm	1.865 47.37	1 3/8 34.9	11/16 17.5	1.126 28.60	0.256 6.50	0.49 12.55	FH201 -8 FH201 -12mm FH202 -9 FH202 -10 FH202 -15mm FH203 -11 FH203 -17mm	RUBBER-4
FHBR204 -12 FHBR204 -20mm	3/4 20mm	2.062 52.37	1 5/8 41.3	11/16 17.5	1.220 31.00	0.295 7.50	0.55 13.91	FH204 -12 FH204 -20mm	RUBBER-5
FHBR205 -13 FHBR205 -14 FHBR205 -15 FHBR205 -16 FHBR205 -25mm	13/16 7/8 15/16 1 25mm	2.456 62.38	1 27/32 46.8	13/16 20.6	1.220 31.00	0.295 7.50	0.55 14.00	FH205 -13 FH205 -14 FH205 -15 FH205 -16 FH205 -25mm	RUBBER-6
FHBR206 -17 FHBR206 -18 FHBR206 -19 FHBR206 -20 FHBR206 -30mm	1 1/16 1 1/8 1 3/16 1 1/4(s) 30mm	2.848 72.34	2.436 61.9	27/32 21.4	1.406 35.70	0.354 9.00	0.58 14.82	FH206 -17 FH206 -18 FH206 -19 FH206 -20 FH206 -30mm	RUBBER-7

### LRC/LRCR/RCR Eccentric Locking Collar

Unit No.	Dimensions in mm									Rubber Insulator No.
	Shaft Diam.	a	a1	a2	f	l	L	n	Bearing No.	
LCR -13L LCR -14L LCR -15L LCR -16L	13/16 7/8 15/16 1	3.44 87.38	3.22 81.8	3.28 83.3	1.850 47.0	990 25.1	1.00 25.40	0.236 6.00	FHRL6005 -13 FHRL6005 -14 FHRL6005 -15 FHRL6005 -16	LCR-16
LRCR -12L	3/4	1.8125 46.04			1.375 34.9	7180 18.2	0.97 24.60	0.236 6.00	FHRL6004 -12	LRCR-12
RCR -13L RCR -14L RCR -15L RCR -16L RCR -25mm	13/16 7/8 15/16 1 25mm	2.250 57.15			2.00 50.8	7813 19.8	1.22 31.00	0.295 7.50	FHR205 -13 FHR205 -14 FHR205 -15 FHR205 -16 FHR205 -25mm	RCR-16



# Rubber Cartridge Units Narrow Inner Ring Bearing RCSM-S / RCSM-L & LRCSM-L Series



- Cylindrical cartridge interliner made of conductive rubber
- Used to dissipate static and reduce noise/vibration
- Used in many fan, blower and other HVAC applications
- Narrow inner ring bearing
- Standard seal: RST tight riding, full cover, metal shroud seals

Optional seals: See page 83

## RCSM-S Set Screw Locking

Unit No.	Dimensions <small>in mm</small>							Recommended Housing Fit	Bearing No.	Rubber Insert No.
	Shaft Diam.	a	f	l	Bi	n	m			
RCSM -8S RCSM -12mmS RCSM -9S RCSM -10S RCSM -15mmS RCSM -11S RCSM -17mmS	1/2 12mm 9/16 5/8 15mm 11/16 17mm	2 17/32 64.29	1 3/8 35.00	1 25.4	0.886 22.50	0.256 6.50	0.63 16.00	Diameter 'a' ±.005"	FHSR201 -8 FHSR201 -12mm FHSR202 -9 FHSR202 -10 FHSR202 -15mm FHSR203 -11 FHSR203 -17mm	RCSM-10
RCSM -12S RCSM -13S RCSM -20mmS	3/4 13/16 20mm	2 17/32 64.29	1.580 40.10	1 25.4	0.984 25.00	0.295 7.50	0.69 17.50	Diameter 'a' ±.005"	FHSR204 -12 FHSR204 -13 FHSR204 -20mm	RCSM-12
RCSM -12S RCSM -13S RCSM -14S RCSM -15S RCSM -16S RCSM -25mmS	3/4 13/16 7/8 15/16 1 25mm	2 17/32 64.29	1.811 46.00	1 25.4	1.063 27.00	0.295 7.50	0.77 19.50	Diameter 'a' ±.005"	FHSR205 -12 FHSR205 -13 FHSR205 -14 FHSR205 -15 FHSR205 -16 FHSR205 -25mm	RCSM-16
RCSM -17S RCSM -18S RCSM -19S RCSM -20S RCSM -30mmS	1 1/16 1 1/8 1 3/16 1 1/4(s) 30mm	3 3/32 78.58	1 7/8 47.6	1 3/16 30.2	1.181 30.00	0.354 9.00	0.83 21.00	Diameter 'a' ±.005"	FHSR206 -17 FHSR206 -18 FHSR206 -19 FHSR206 -20 FHSR206 -30mm	RCSM-19

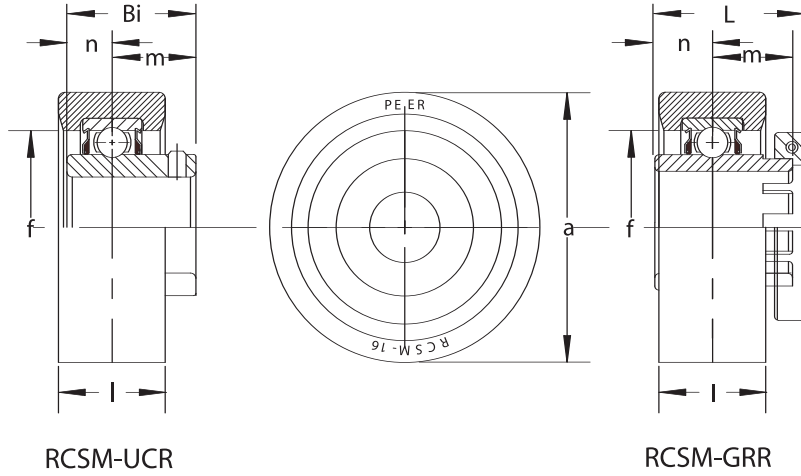
## RCSM-L/LRCSM-L Eccentric Locking Collar

Unit No.	Dimensions <small>in mm</small>							Recommended Housing Fit	Bearing No.	Rubber Insert No.
	Shaft Diam.	a	f	l	L	n	m			
RCSM -8L RCSM -12mmL RCSM -9L RCSM -10L RCSM -15mmL RCSM -11L RCSM -17mmL	1/2 12mm 9/16 5/8 15mm 11/16 17mm	2 17/32 64.29	1 3/8 35.00	1 25.4	1.126 28.60	0.256 6.50	0.49 12.55	Diameter 'a' ±.005"	FHR201 -8 FHR201 -12mm FHR202 -9 FHR202 -10 FHR202 -15mm FHR203 -11 FHR203 -17mm	RCSM-10
RCSM -12L RCSM -20mmL	3/4 20mm	2 17/32 64.29	1.580 40.10	1 25.4	1.220 31.00	0.295 7.50	0.55 13.91	Diameter 'a' ±.005"	FHR204 -12 FHR204 -20mm	RCSM-12
RCSM -13L RCSM -14L RCSM -15L RCSM -16L RCSM -25mmL	13/16 7/8 15/16 1 25mm	2 17/32 64.29	1.811 46.00	1 25.4	1.220 31.00	0.295 7.50	0.55 14.00	Diameter 'a' ±.005"	FHR205 -13 FHR205 -14 FHR205 -15 FHR205 -16 FHR205 -25mm	RCSM-16
RCSM -17L RCSM -18L RCSM -19L RCSM -20L RCSM -30mmL	1 1/16 1 1/8 1 3/16 1 1/4(s) 30mm	3 3/32 78.58	1 7/8 47.6	1 3/16 30.2	1.406 35.70	0.354 9.00	0.58 14.82	Diameter 'a' ±.005"	FHR206 -17 FHR206 -18 FHR206 -19 FHR206 -20 FHR206 -30mm	RCSM-19
LRCSM -17L LRCSM -18L LRCSM -19L LRCSM -20L	1 1/16 1 1/8 1 3/16 1 1/4	2 17/32 64.29	1 7/8 47.6	1 25.4	1.031 26.20	0.256 6.50	0.46 11.80	Diameter 'a' ±.005"	FHRL6006 -17 FHRL6006 -18 FHRL6006 -19 FHRL6006 -20	LRCSM-19

# Rubber Cartridge Units Wide Inner Ring Bearing RCSM-UCR / RCSM-GRR Series



- Cylindrical cartridge interliner made of conductive rubber
- Used to dissipate static and reduce noise/vibration
- Used in many fan, blower and other HVAC applications
- Wide inner ring bearing for increased shaft support
- Bearings have black oxide plated inner and outer rings
- Standard seal: RST tight riding, full cover, metal shroud seals



Optional seals: See page 83

## RCSM-UCR Set Screw Locking

Unit No.	Shaft Diam.	Dimensions <sup>in</sup> / <sub>mm</sub>						Recommended Housing Fit	Bearing No.	Rubber Insert No.
		a	f	l	Bi	n	m			
RCSM -8UCSR RCSM -10UCSR	1/2 5/8	2 17/32 64.29	1 3/8 35.00	1 25.4	1.024 26.00	0.394 10.00	0.63 16.00	Diameter 'a' ±.005"	UCSR201 -8 UCSR202 -10	RCSM-10
RCSM -8UCR RCSM -10UCR	1/2 5/8	2 17/32 64.29	1.580 40.10	1 25.4	1.220 31.00	0.500 12.70	0.72 18.30	Diameter 'a' ±.005"	UCR201 -8 UCR202 -10	RCSM-12
RCSM -12UCR RCSM -20mm-UCR	3/4 20mm	2 17/32 64.29	1.580 40.10	1 25.4	1.220 31.00	0.500 12.70	0.72 18.30	Diameter 'a' ±.005"	UCR204 -12 UCR204 -20mm	RCSM-12
RCSM -14UCR RCSM -15UCR RCSM -16UCR RCSM -25mm-UCR	7/8 15/16 1 25mm	2 17/32 64.29	1.811 46.00	1 25.4	1.339 34.00	0.563 14.30	0.78 19.70	Diameter 'a' ±.005"	UCR205 -14 UCR205 -15 UCR205 -16 UCR205 -25mm	RCSM-16
RCSM -17UCR RCSM -18UCR RCSM -19UCR RCSM -20SUCR RCSM -30mm-UCR	1 1/16 1 1/8 1 3/16 1 1/4(s) 30mm	3 3/32 78.58	1 7/8 47.6	1 3/16 30.2	1.500 38.10	0.626 15.90	0.87 22.20	Diameter 'a' ±.005"	UCR206 -17 UCR206 -18 UCR206 -19 UCR206 -20 UCR206 -30mm	RCSM-19

## RCSM-GRR GRIP-IT 360 Degree Locking

Unit No.	Shaft Diam.	Dimensions <sup>in</sup> / <sub>mm</sub>						Recommended Housing Fit	Bearing No.	Rubber Insert No.
		a	f	l	Bi	n	m			
RCSM -8GRR RCSM -10GRR	1/2 5/8	2 17/32 64.29	1.580 40.10	1 25.4	1.220 31.00	0.500 12.70	0.72 18.30	Diameter 'a' ±.005"	GRR201 -8 GRR202 -10	RCSM-12
RCSM -12GRR RCSM -20mm-GRR	3/4 20mm	2 17/32 64.29	1.580 40.10	1 25.4	1.220 31.00	0.500 12.70	0.72 18.30	Diameter 'a' ±.005"	GRR204 -12 GRR204 -20mm	RCSM-12
RCSM -14GRR RCSM -15GRR RCSM -16GRR RCSM -25mm-GRR	7/8 15/16 1 25mm	2 17/32 64.29	1.811 46.00	1 25.4	1.358 34.50	0.563 14.30	0.80 20.20	Diameter 'a' ±.005"	GRR205 -14 GRR205 -15 GRR205 -16 GRR205 -25mm	RCSM-16
RCSM -17GRR RCSM -18GRR RCSM -19GRR RCSM -20GRR RCSM -30mm-GRR	1 1/16 1 1/8 1 3/16 1 1/4(s) 30mm	3 3/32 78.58	1 7/8 47.6	1 3/16 30.2	1.500 38.10	0.626 15.90	0.87 22.20	Diameter 'a' ±.005"	GRR206 -17 GRR206 -18 GRR206 -19 GRR206 -20 GRR206 -30mm	RCSM-19

Standard Mounted Units